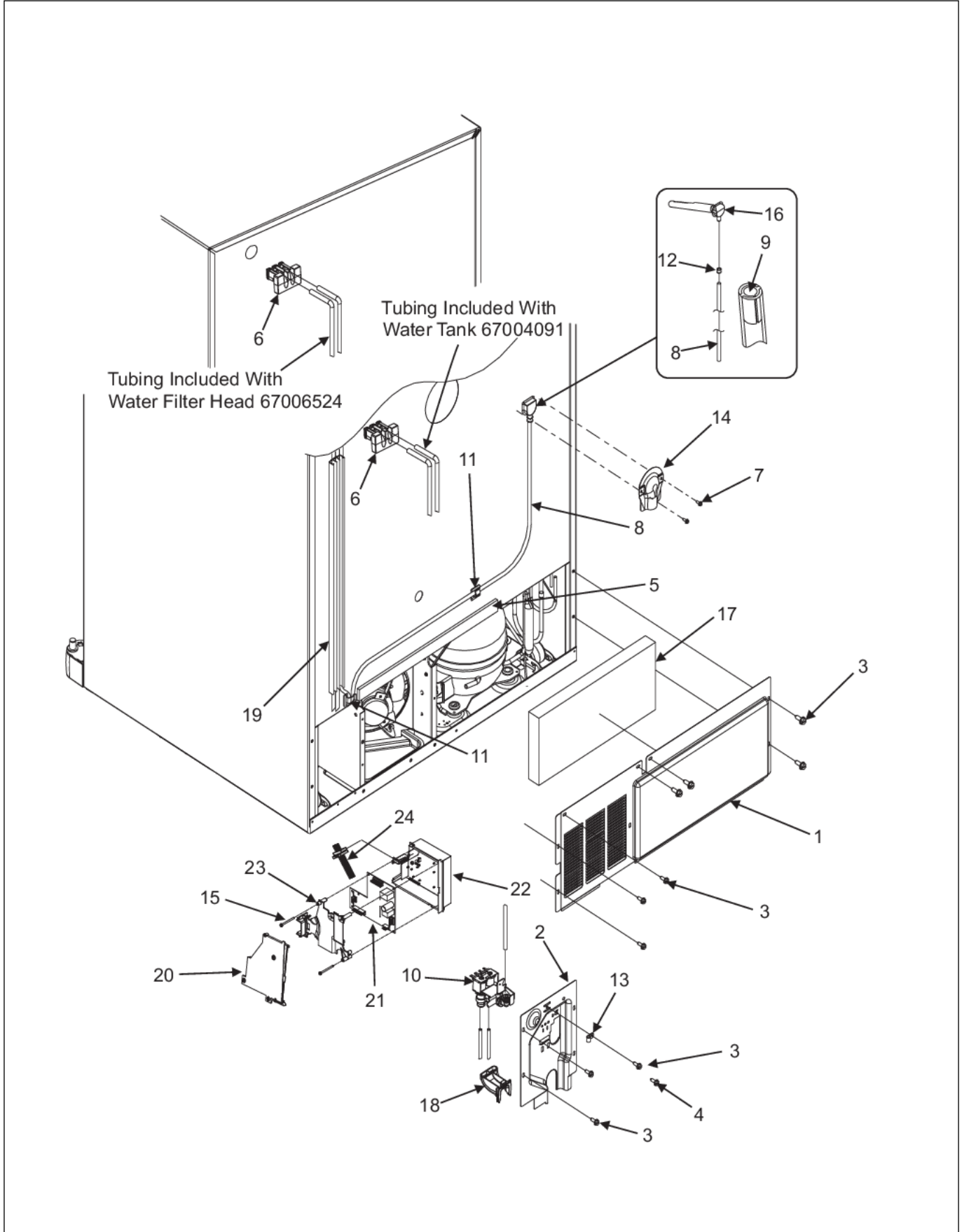


# **DDFF036SERIES10**

CABINET BACK .....	1
COMPRESSOR .....	2
CONTROLS .....	3
CRISPER ASSEMBLY .....	4
EVAPORATOR AREA AND ROLLERS .....	5
FREEZER DOOR .....	6
HANDLES .....	7
ICE MAKER .....	8
INTERIOR CABINET .....	9
LEFT REFRIGERATOR DOOR .....	10
PANTRY ASSEMBLY .....	11
REF DOOR STORAGE AND CTR HINGE .....	12
REFRIGERATOR SHELVES .....	13
RIGHT REFRIGERATOR DOOR .....	14
WATER DISPENSER .....	15
WIRING DIAGRAM .....	16
Appendix A:Pages Index .....	A
Appendix B:Parts Index .....	B



## CABINET BACK





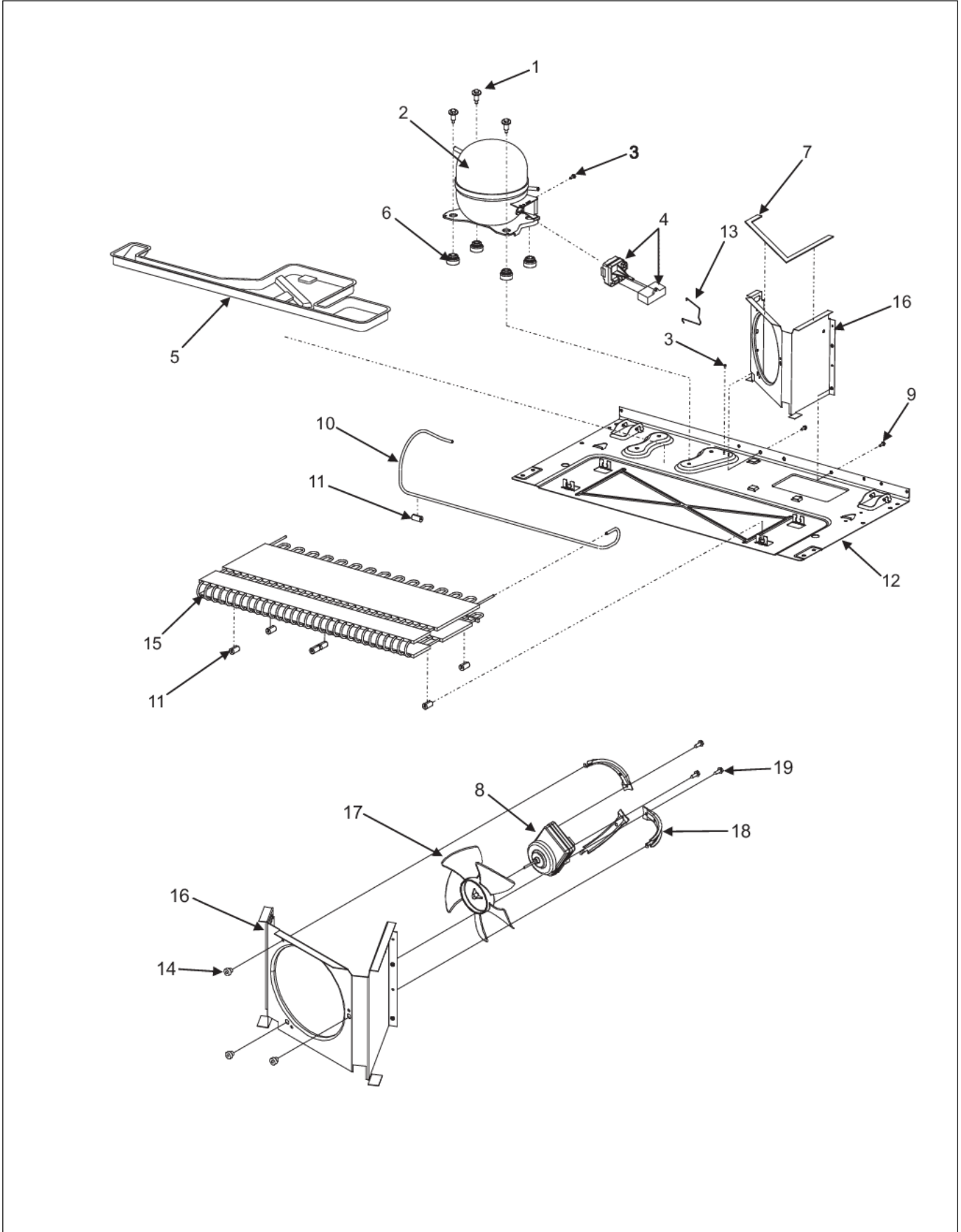
Item	Part No.	Name	Qty	Uom	NOTES
1	PS400172	COVER, MC BACK (67006101)	1	EA	
2	PS400173	COVER, WATER VALVE (67004098)	1	EA	
3	PS400129	SCREW, SMALL (67006425)	1	EA	
4	PS400174	SCREW, VALVE (67006662)	1	EA	NO LONGER AVAILABLE, Not available online / Call for pricing and availability
5	PS400175	GASKET	1	EA	NO LONGER AVAILABLE, Not available online / Call for pricing and availability
6	PS400176	BLOCK, FILTER (67004092)	1	EA	NO LONGER AVAILABLE
7	PS400013	SCREW, DOOR STOP (67006287)	1	EA	NO LONGER AVAILABLE
8	PS400177	PLASTIC TUBE (B5705307)	1	EA	
9	PS400178	INSERT, TUBE	1	EA	
10	PS400179	DUAL WATER VALVE (67006531)	1	EA	
11	PS400180	CLIP	1	EA	
12	PS400181	CLIP, SPEED (M0114003)	1	EA	
13	PS400182	CLAMP, TUBE	1	EA	NO LONGER AVAILABLE
14	PS400183	COVER, WATER LINE (67003331)	1	EA	NO LONGER AVAILABLE, Not available online / Call for pricing and availability
15	PS400184	SCREW, HV BOX (67006550)	1	EA	
16	PS400185	ELBOW, FILL TUBE	1	EA	
17	PS400186	ACOUSTIC FIBER (67003796)	1	EA	NO LONGER AVAILABLE
18	PS400187	DUAL TUBE SWEEP (67004101)	1	EA	NO LONGER AVAILABLE, Not available online / Call for pricing and availability
19	PS400188	WATERLINE TRACK (67004102)	1	EA	
20	PS400189	COVER, HV BOX (67005421)	1	EA	NO LONGER AVAILABLE





Item	Part No.	Name	Qty	Uom	NOTES
NI	PS400190	SCREW, HV BOX COVER (67006615)	1	EA	NO LONGER AVAILABLE, Not available online / Call for pricing and availability
21	PS400191	HV BOARD (INC. INSTRUCTIONS)	1	EA	NO LONGER AVAILABLE
22	PS400192	BOX, HV CONTROL (67004969)	1	EA	NO LONGER AVAILABLE
23	PS400193	SPACER, HV BOX (67005418)	1	EA	NO LONGER AVAILABLE
24	PS400194	HARNESS, HV BOARD (67005419)	1	EA	NO LONGER AVAILABLE, Not available online / Call for pricing and availability
NI	PS400195	POWER CORD (67006506)	1	EA	

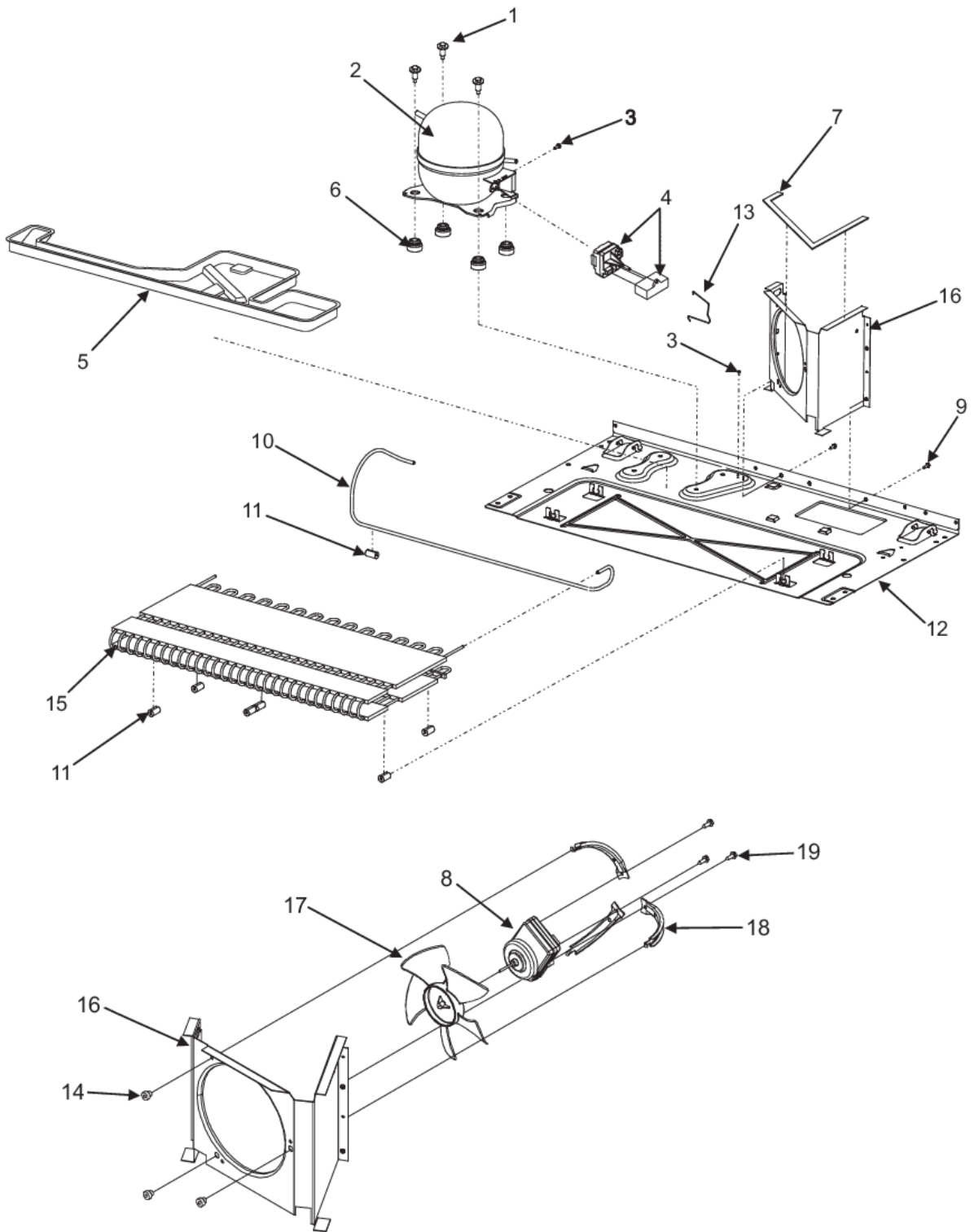
## COMPRESSOR







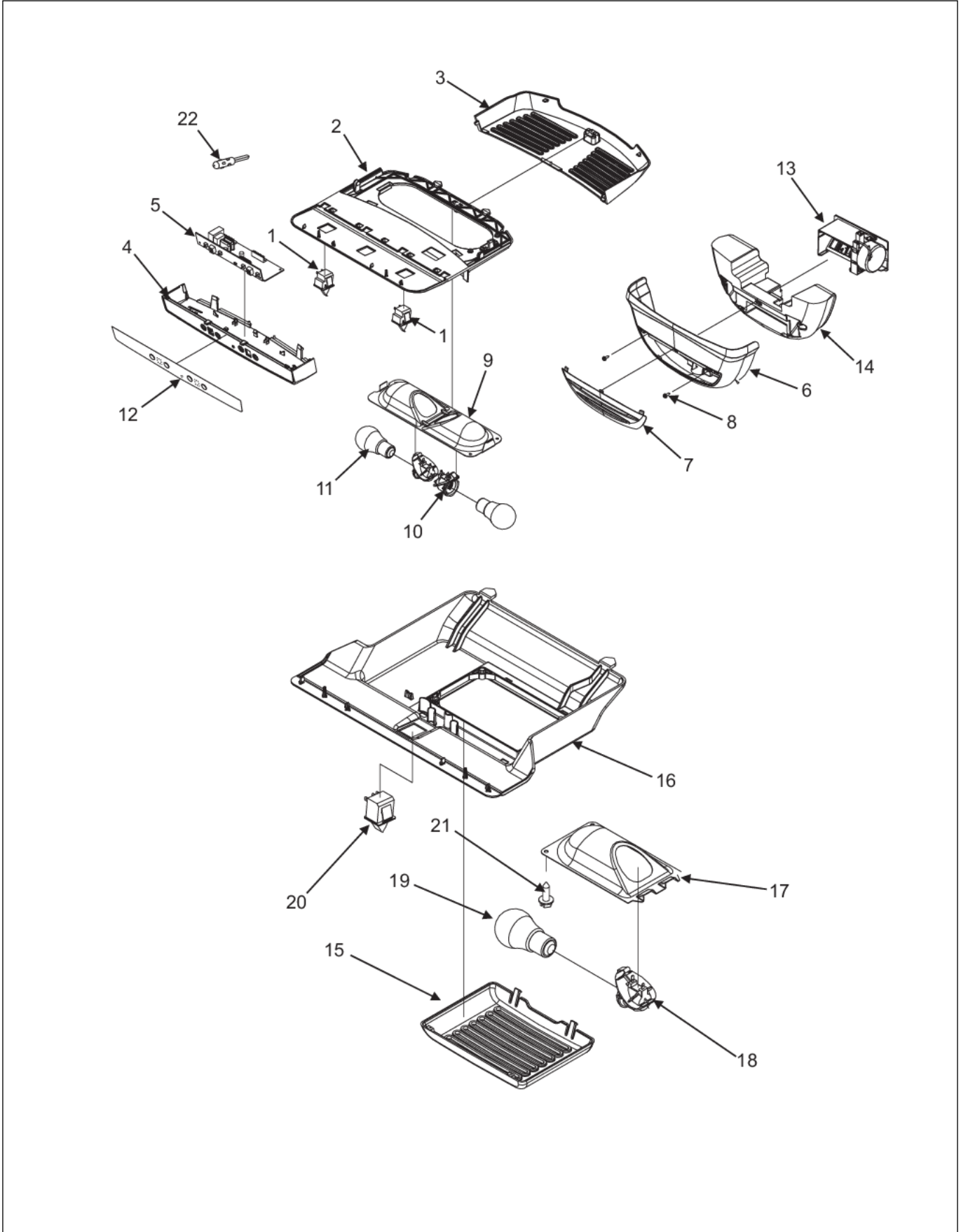
Item	Part No.	Name	Qty	Uom	NOTES
1	PS400153	SCREW, COMPRESSOR (67006432)	1	EA	
2	PS400154	COMPRESSOR KIT (8201555)	1	EA	
Not Shown	NOTE	(INC. COMPRESSOR, OVERLOAD, RELAY, CAPACITOR)		EA	
Not Shown	NOTE	BALE STRAP, GROMMMETS, & INSTR. SHEET)		EA	
3	PS400155	GROUND SCREW (67006433)	1	EA	NO LONGER AVAILABLE, Not available online / Call for pricing and availability
4	PS400156	OVERLOAD AND RELAY W/CAPICITOR (67005560)	1	EA	
5	021899-000	PAN, DRAIN	1	EA	
6	PS400158	GROMMET, COMPRESSOR (67003493)	1	EA	
7	PS400159	SEAL, CONDENSER SHROUD (61003210)	1	EA	NO LONGER AVAILABLE, Not available online / Call for pricing and availability
8	PS400160	MOTOR, CONDENSER FAN (67004432)	1	EA	
9	PS400129	SCREW, SMALL (67006425)	1	EA	
10	PS400161	DISCHARGE TUBE (67004700)	1	EA	
11	PS400162	GROMMET CONDENSER (67005680)	1	EA	
12	PS400163	BASE PAN (67005889)	1	EA	NO LONGER AVAILABLE
13	PS400164	BALE STRAP (12576801)	1	EA	NO LONGER AVAILABLE, Not available online / Call for pricing and availability
14	PS400165	GROMMET BRACKET (61004743)	1	EA	NO LONGER AVAILABLE, Not available online / Call for pricing and availability
15	PS400166	CONDENSER (67006131)	1	EA	
16	PS400167	SHROUD, CONDENSER FAN (67001090)	1	EA	NO LONGER AVAILABLE
17	PS400168	BLADE, FAN (67004952)	1	EA	





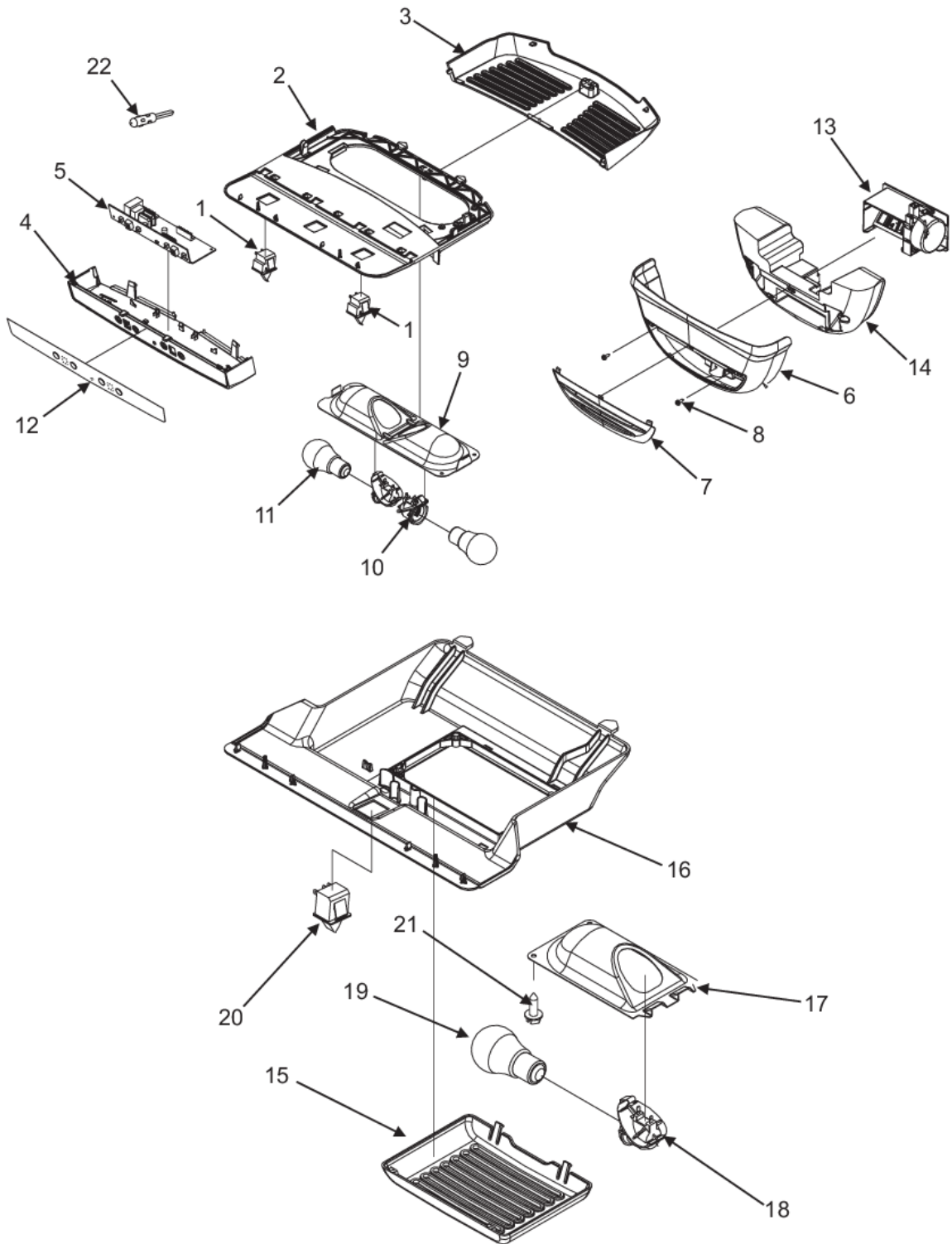
Item	Part No.	Name	Qty	Uom	NOTES
18	PS400169	BRACKET, CONDENSER MOTOR (67004953)	1	EA	NO LONGER AVAILABLE, Not available online / Call for pricing and availability
19	PS400170	SCREW, BRACKT (67004954)	1	EA	NO LONGER AVAILABLE, Not available online / Call for pricing and availability
NI	PS400171	HARNESS, MC (67005435)	1	EA	

## CONTROLS





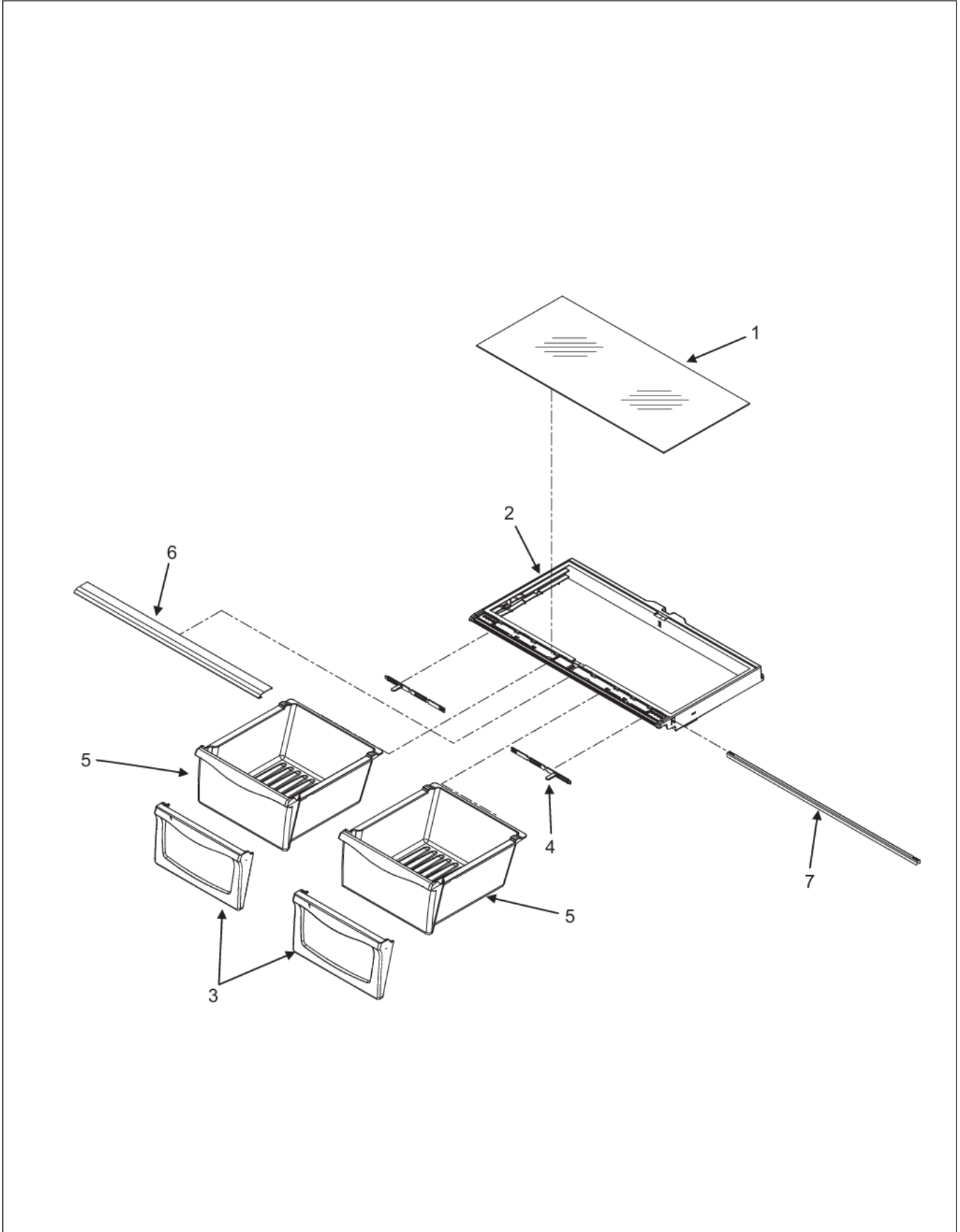
Item	Part No.	Name	Qty	Uom	NOTES
1	PS400044	LIGHT SWITCH (C3680310)	1	EA	
2	PS400234	LIGHT MODULE (67004078) VCFF/DDFF	1	EA	NO LONGER AVAILABLE
3	PS400046	COVER, REFRIGERATOR LIGHT (67003897)	1	EA	NO LONGER AVAILABLE
4	PS400047	MODULE, REFRIGERATOR CONTROL (67005444)	1	EA	
5	021881-000	CONTROL BOARD	1	EA	
6	021694-000	COVER, DAMPER	1	EA	
7	021695-000	INSERT, DAMPER COVER	1	EA	
8	PS400051	SCREW, DAMPER BASE (67006602)	1	EA	NO LONGER AVAILABLE, Not available online / Call for pricing and availability
9	PS400052	LIGHT HOUSING (67003901)	1	EA	NO LONGER AVAILABLE, Not available online / Call for pricing and availability
10	PS400053	LIGHT SOCKET (12570701)	1	EA	
11	PS400054	LIGHT BULB (A0282812)	1	EA	
12	PS400055	KEYBOARD CONTROL	1	EA	
13	PS400056	CONTROL, DAMPER	1	EA	
14	PS400057	INSULATION, DAMPER CONTROL (67006604)	1	EA	NO LONGER AVAILABLE
15	PS400058	COVER, FREEZER LIGHT (67003905)	1	EA	NO LONGER AVAILABLE
16	PS400059	MODULE, FREEZER CONTROL (67003906)	1	EA	NO LONGER AVAILABLE
17	021759-000	HOUSING, LIGHT	1	EA	
18	PS400053	LIGHT SOCKET (12570701)	1	EA	
19	PS400054	LIGHT BULB (A0282812)	1	EA	
20	PS400061	LIGHT SWITCH / INTERLOCK (12002646)	1	EA	
21	PS400062	SCREW, HOUSING (67006530)	1	EA	NO LONGER AVAILABLE, Not available online / Call for pricing and availability
22	PS400063	THERMISTOR	1	EA	
NI	PS400235	HARNESS, FF CONTROL (67005417) VCFF/DDFF	1	EA	NO LONGER AVAILABLE





Item	Part No.	Name	Qty	Uom	NOTES
NI	PS400065	HARNESS, FZ CONTROL (67006094)	1	EA	NO LONGER AVAILABLE, Not available online / Call for pricing and availability

CRISPER ASSEMBLY

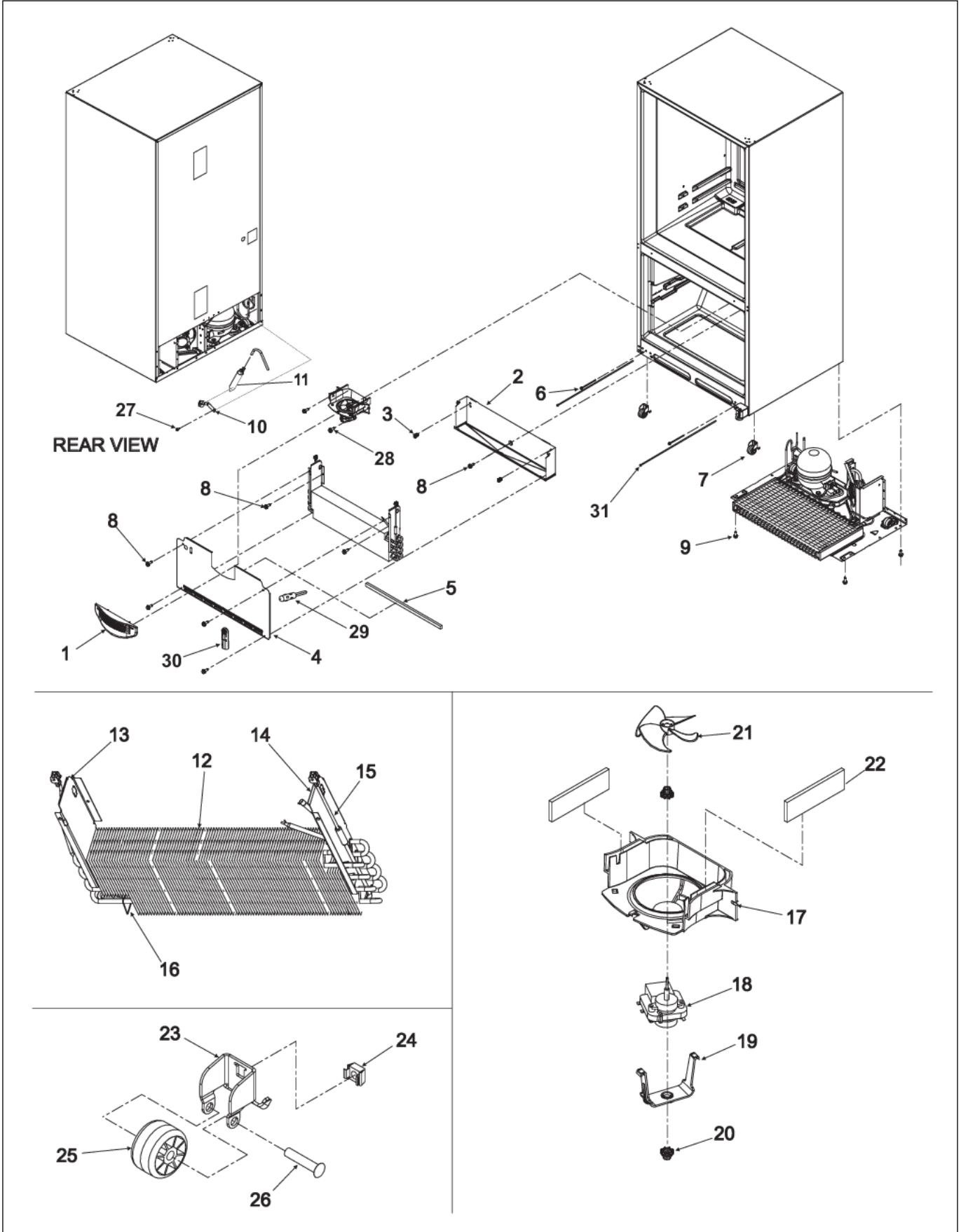






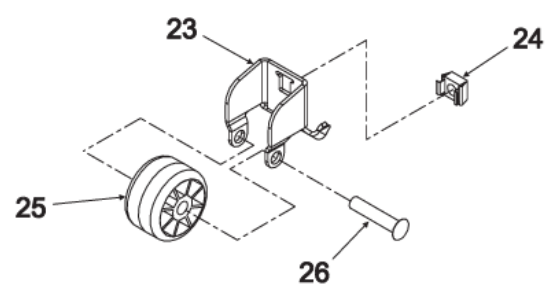
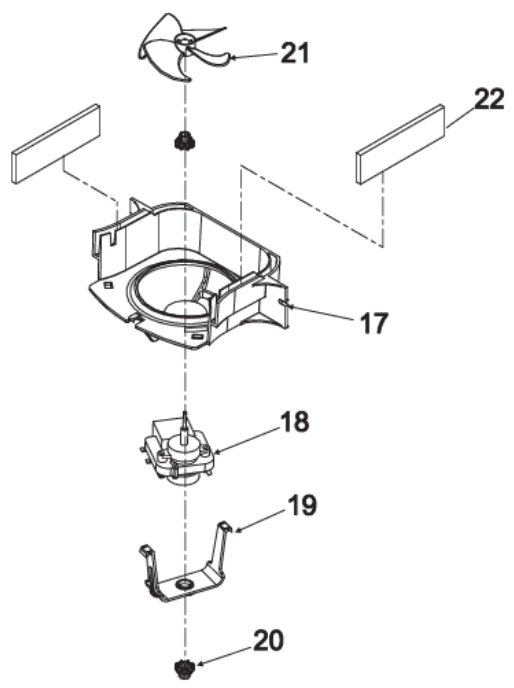
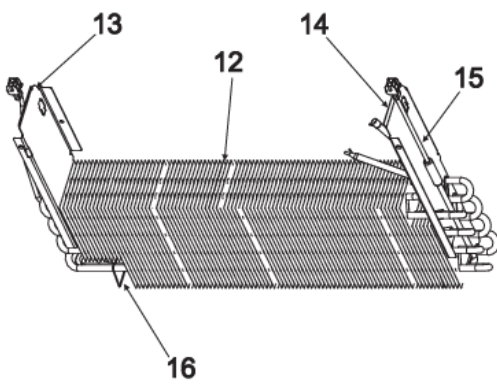
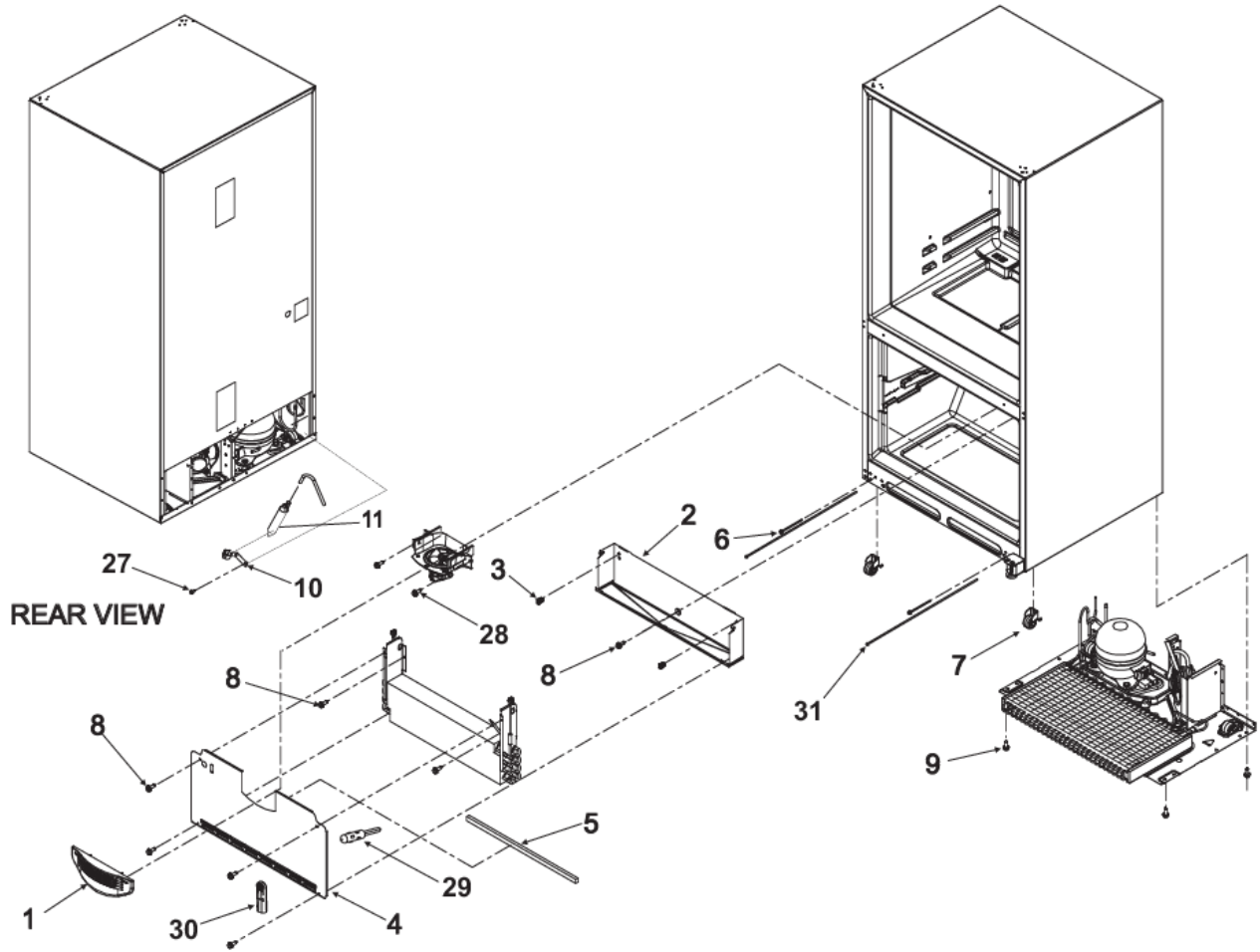
Item	Part No.	Name	Qty	Uom	NOTES
1	PS400067	GLASS, CRISPER (67006655)	1	EA	
2	PS400068	FRAME, CRISPER (67006185)	1	EA	
3	PS400069	FRONT, CRISPER PAN (67005926) - SUBS TO 021778-000	1	EA	
4	PS400070	SLIDE, HUMIDITY CONTROL (Y67001287)	1	EA	
5	PS400071	CRISPER PAN (67002659)	1	EA	
6	PS400072	EXTRUSION, CRISPER FRONT (W10231489) - SUB TO 021832-000	1	EA	
7	PS400073	BRACE, CRISPER	1	EA	

EVAPORATOR AREA AND ROLLERS





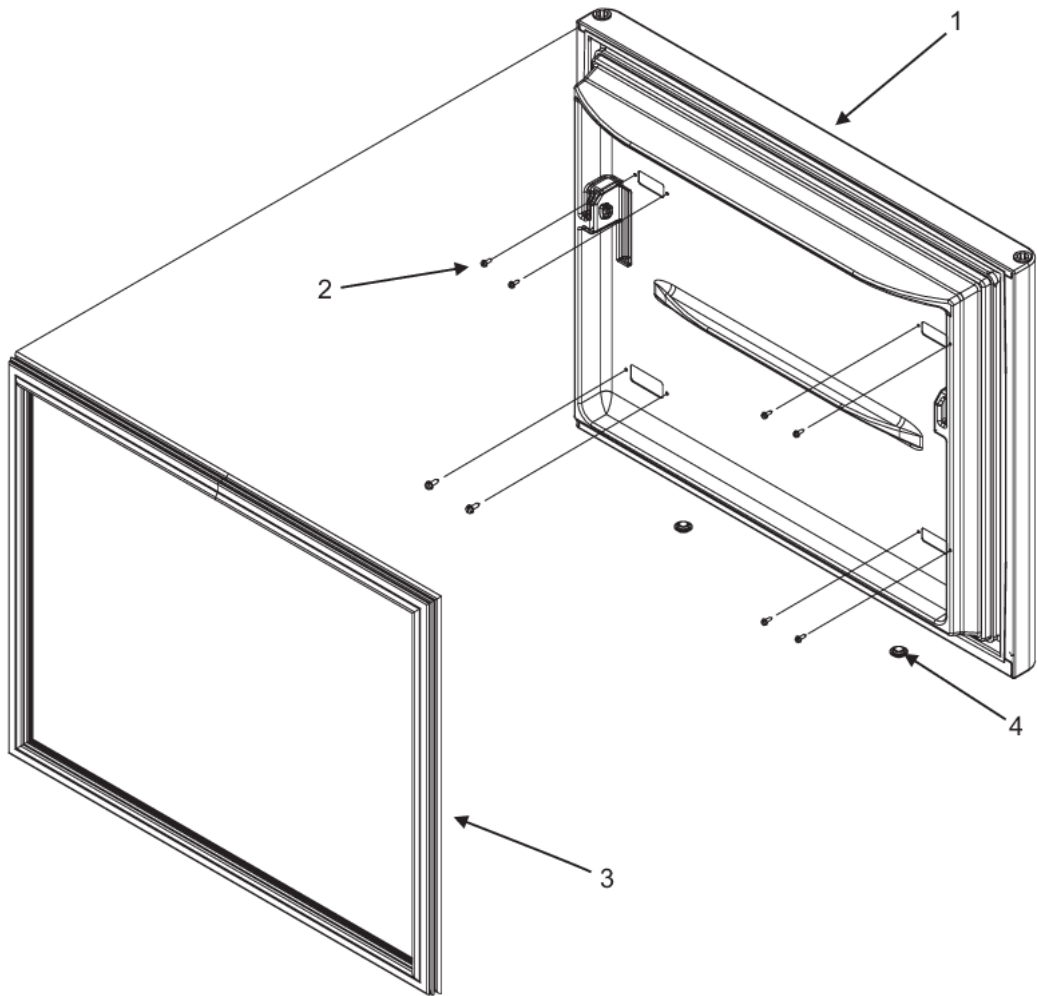
Item	Part No.	Name	Qty	Uom	NOTES
1	PS400122	AIR GRILLE - FREEZER (67006609)	1	EA	
2	PS400123	DRIP TRAY, E-CT (67002490)	1	EA	
3	PS400124	CLIP, EVAPORATOR	1	EA	Not available online / Call for pricing and availability
4	PS400125	COVER, EVAPORATOR (67005873)	1	EA	NO LONGER AVAILABLE, Not available online / Call for pricing and availability
5	PS400126	GASKET (A3189396)	1	EA	
6	PS400127	SCREW, ADJUSTABLE ROLLER (67006611)	1	EA	
7	PS400128	ROLLER BRACKET ASSEMBLY (12580304)	1	EA	
8	PS400129	SCREW, SMALL (67006425)	1	EA	
9	PS400130	SCREW (67006573)	1	EA	NO LONGER AVAILABLE
10	PS400131	CLIP, DRIER (10547002)	1	EA	NO LONGER AVAILABLE, Not available online / Call for pricing and availability
11	PS400132	DRIER (B2150504)	1	EA	
12	PS400133	EVAPORATOR KIT (INC. EVAP, HT. SHLD, & INST.) (12002041)	1	EA	
Not Shown	NOTE	(INC. EVAPORATOR, HEAT SHIELD, & INSTRUCTION SHEET		EA	
13	PS400134	DAM, LEFT RETURN (67001083)	1	EA	NO LONGER AVAILABLE, Not available online / Call for pricing and availability
14	PS400135	DAM, RIGHT RETURN (67001084)	1	EA	NO LONGER AVAILABLE, Not available online / Call for pricing and availability
15	PS400136	HEATER, EVAPORATOR (67002493)	1	EA	
16	PS400137	CLIP, HEATER - SUBS TO 10428101	1	EA	
17	PS400138	SHROUD, EVAPORATOR FAN (67002777)	1	EA	





Item	Part No.	Name	Qty	Uom	NOTES
18	PS400139	MOTOR, EVAPORATOR FAN (67003636)	1	EA	
19	PS400140	CLIP, EVAPORATOR MOTOR (67005633)	1	EA	
20	PS400141	GROMMET, FAN MOTOR (67002780)	1	EA	
21	PS400142	FAN, EVAPORATOR	1	EA	
22	PS400143	FOAM GASKET (67001291)	1	EA	NO LONGER AVAILABLE, Not available online / Call for pricing and availability
23	PS400144	ROLLER BRACKET (12456801)	1	EA	
24	PS400145	SPEED NUT (M0286708)	1	EA	
25	PS400146	ROLLER (67005127)	1	EA	
26	PS400147	RIVET (M1205302)	1	EA	
27	PS400148	SCREW, CLIP (67006737)	1	EA	NO LONGER AVAILABLE, Not available online / Call for pricing and availability
28	PS400013	SCREW, DOOR STOP (67006287)	1	EA	NO LONGER AVAILABLE
29	PS400063	THERMISTOR	1	EA	
30	PS400149	COVER, FREEZER THERMISTOR (67003924)	1	EA	NO LONGER AVAILABLE, Not available online / Call for pricing and availability
31	PS400150	SCREW, ADJUSTING ROD (67006697)	1	EA	
NI	PS400151	DEFROST THERMOSTAT (67003426)	1	EA	
NI	PS400152	HARNESS, EVAPORATOR HEATER (67005574)	1	EA	

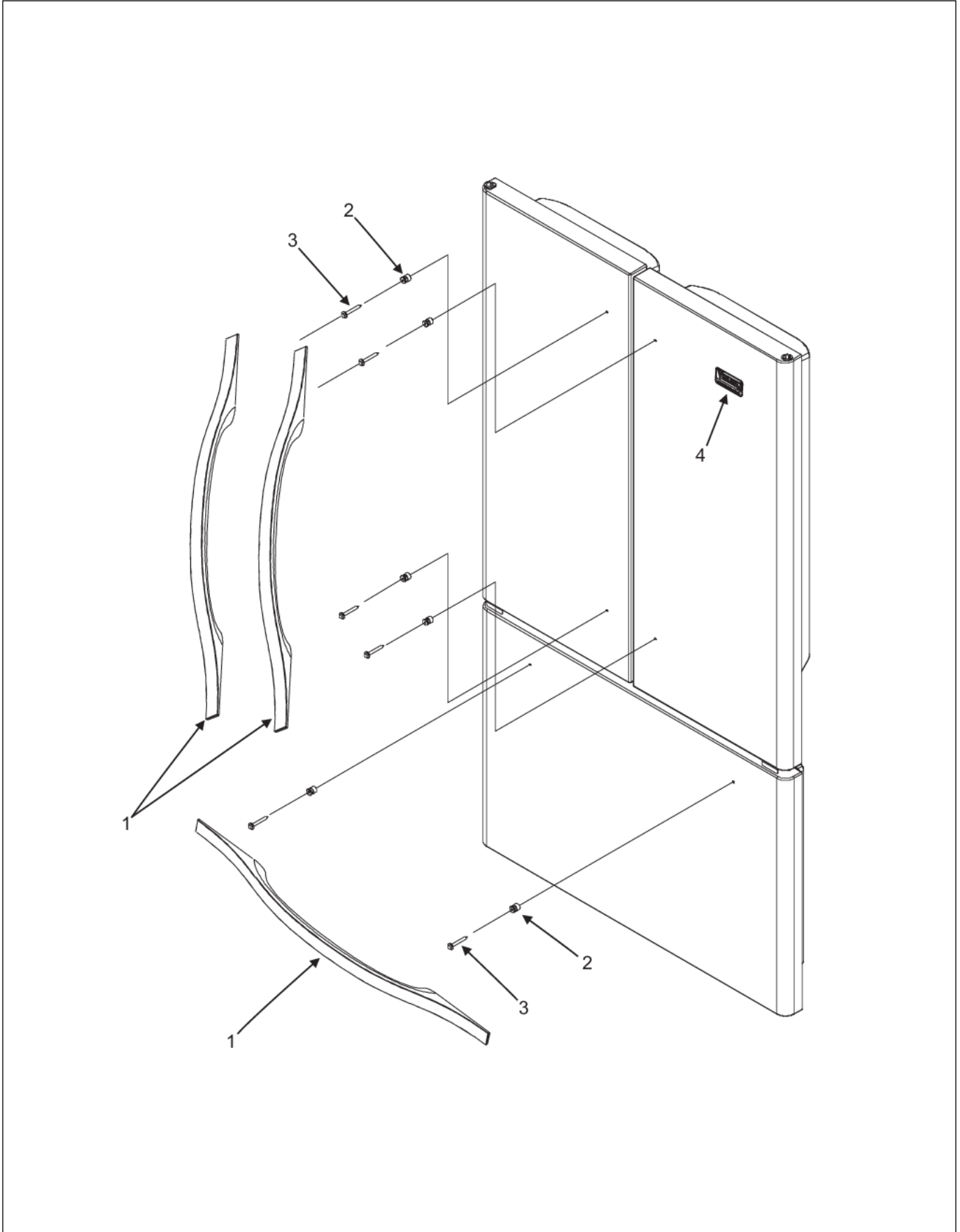
FREEZER DOOR





Item	Part No.	Name	Qty	Uom	NOTES
1	PS400228	FREEZER DOOR ASSEMBLY	1	EA	Not available online / Call for pricing and availability
2	PS400229	SCREW, SMALL HEX HEAD (67006408)	1	EA	NO LONGER AVAILABLE, Not available online / Call for pricing and availability
3	PS400230	GASKET, FREEZER DOOR (67003559)	1	EA	
4	PS400016	PLUG, VENT (67004838)	1	EA	NO LONGER AVAILABLE

HANDLES

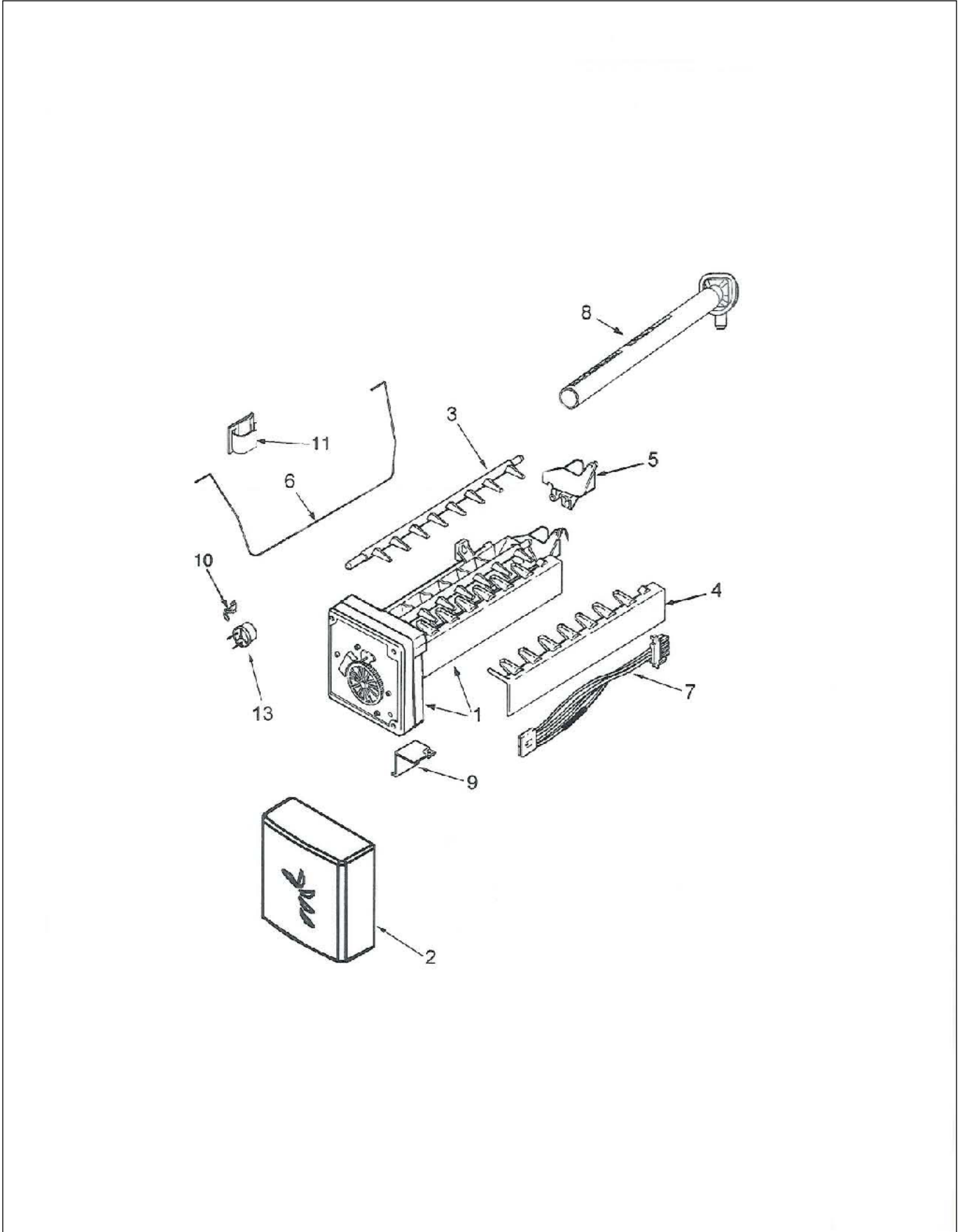




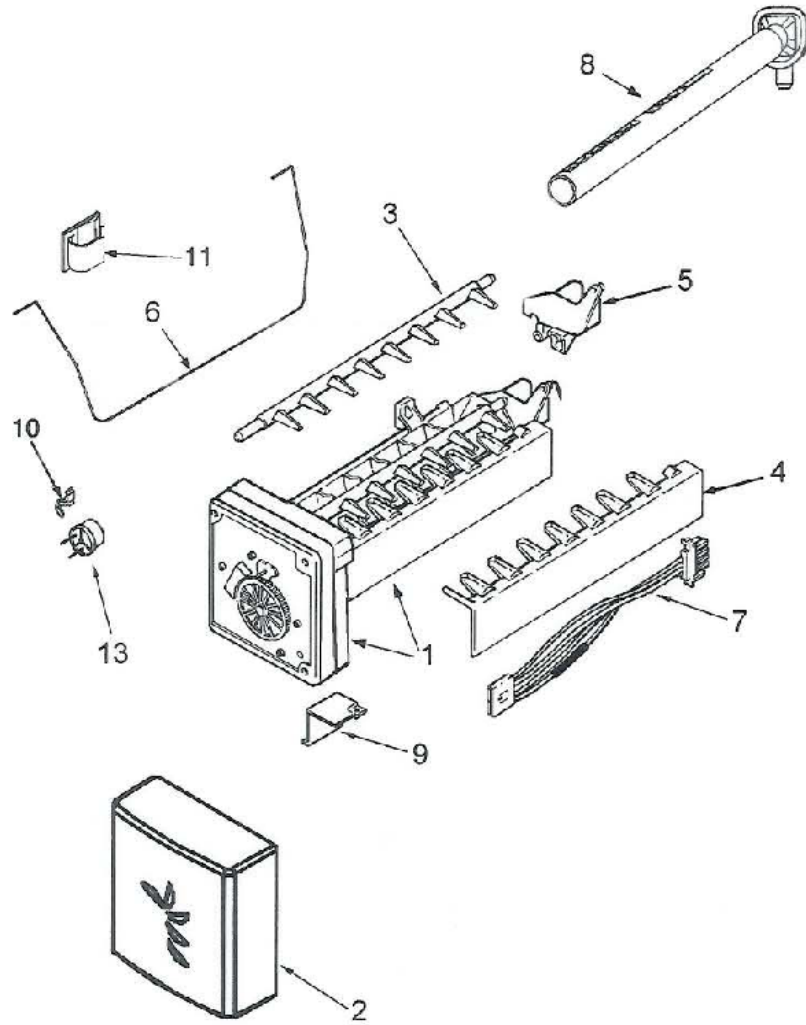


Item	Part No.	Name	Qty	Uom	NOTES
1	PE030188	Designer Handle Ref-Outsourced 67006725	1	EA	
2	PS40004	STUD, HANDLE	1	EA	Not available online / Call for pricing and availability
3	PS40003	SCREW, HANDLE	1	EA	Not available online / Call for pricing and availability
4	PE010195	NAMEPLATE LOGO DES	1	EA	

ICE MAKER



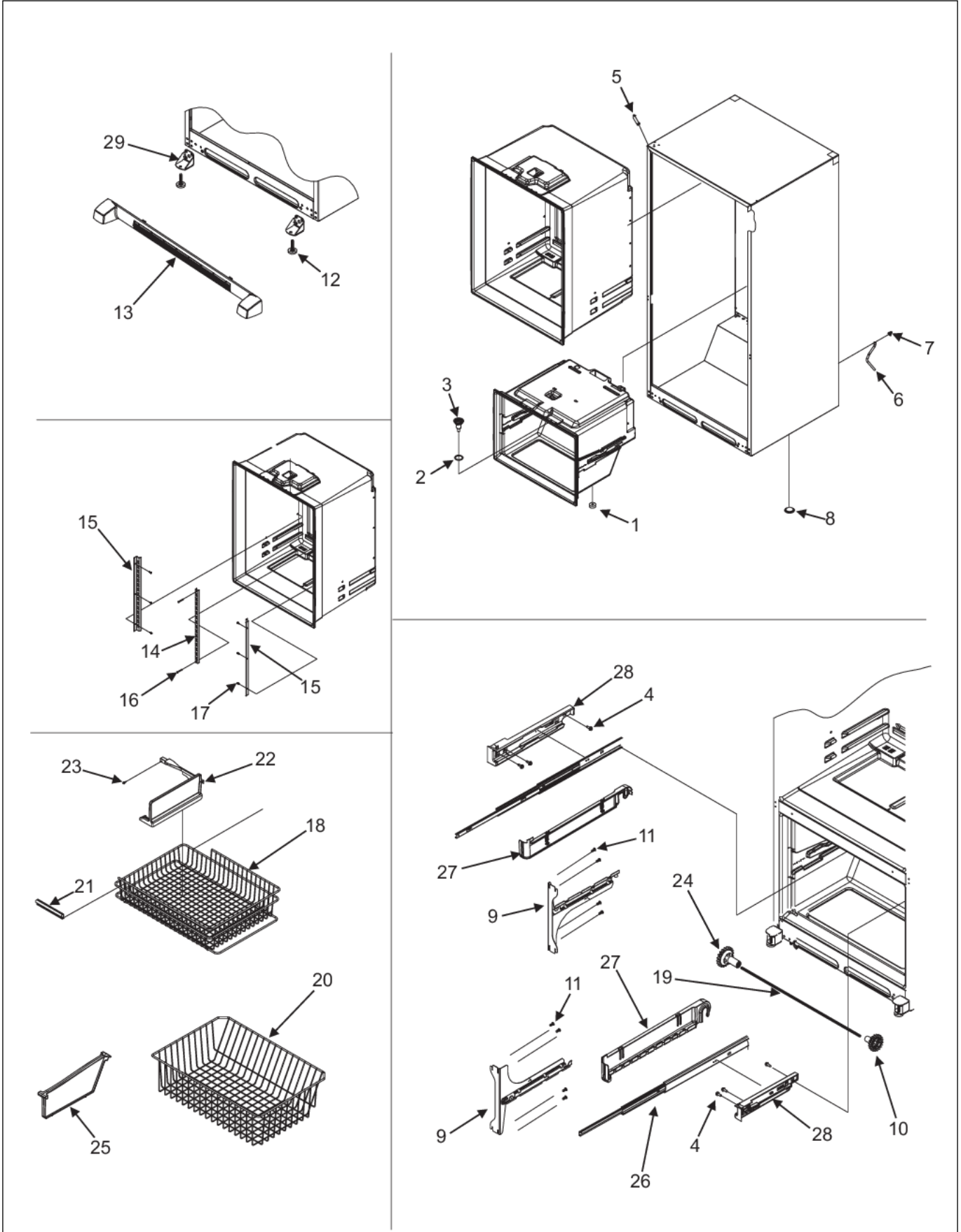
Item	Part No.	Name	Qty	Uom	NOTES
1	PR160032	ICEMAKER ASSY COMP 4317943	1	EA	
Not Shown	NOTE	MOLD & HEATER ASSY, ICE EJECTOR, ICE STRIPPER,		EA	
Not Shown	NOTE	WATER INLET, AND THERMOSTAT)		EA	
NI	PS400197	BRACKET, ICE MAKER (67002823)	1	EA	NO LONGER AVAILABLE, Not available online / Call for pricing and availability
NI	PS400013	SCREW, DOOR STOP (67006287)	1	EA	NO LONGER AVAILABLE
2	PS400198	COVER, ICE MAKER (67004710)	1	EA	NO LONGER AVAILABLE, Not available online / Call for pricing and availability
3	PS400199	ICE EJECTOR	1	EA	NO LONGER AVAILABLE, Not available online / Call for pricing and availability
4	PS400200	ICE STRIPPER	1	EA	NO LONGER AVAILABLE
5	PS400201	WATER INLET (95100-1)	1	EA	
6	PS400202	IM SHUTOFF ARM (67004028)	1	EA	
7	PS400203	HARNESS, ICE MAKER (W10146389)	1	EA	
8	PS400185	ELBOW, FILL TUBE	1	EA	
9	PS400204	BRACKET, MODULE AND HEATER (95107-1)	1	EA	NO LONGER AVAILABLE, Not available online / Call for pricing and availability
NI	PS400205	SCREW, BRACKET (95108-1)	1	EA	NO LONGER AVAILABLE, Not available online / Call for pricing and availability
10	PS400206	RETAINER, THERMOSTAST (95104-1)	1	EA	NO LONGER AVAILABLE, Not available online / Call for pricing and availability
11	PS400180	CLIP	1	EA	
12	PS400207	ICE PAN (67001255)	1	EA	
13	N/A	MUST ORDER PS400196	1	EA	





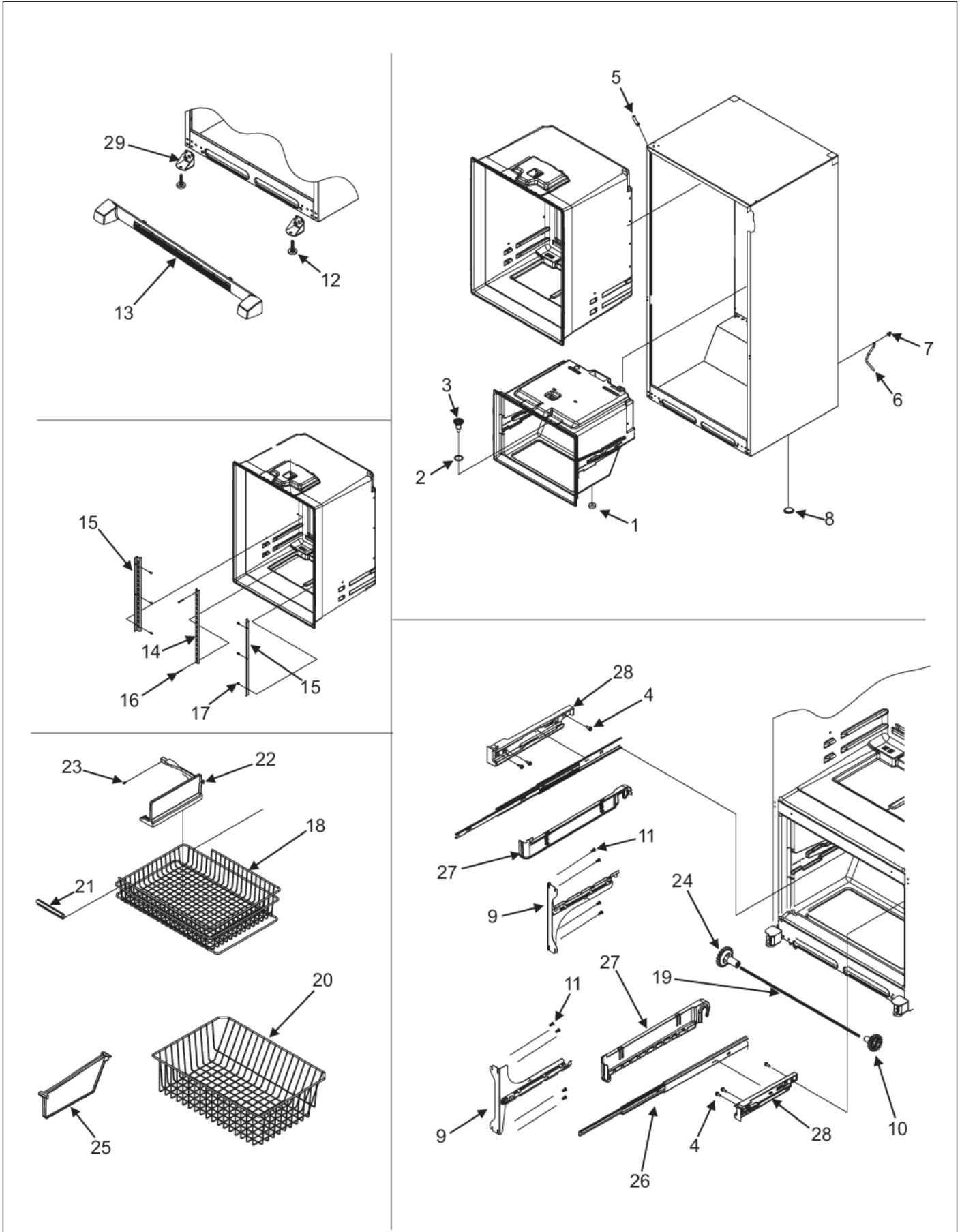
Item	Part No.	Name	Qty	Uom	NOTES
NI	PS400208	COUPLING (10244904)	1	EA	NO LONGER AVAILABLE, Not available online / Call for pricing and availability
NI	PS400209	ICE MAKER HOOK UP KIT (R0131235)	1	EA	
Not Shown	NOTE	(INC. 1/4" X 25' COPPER TUBING, SADDLE VALVE,		EA	
Not Shown	NOTE	AND 1/4" COMPRESSION NUT AND SLEEVE)		EA	

## INTERIOR CABINET





Item	Part No.	Name	Qty	Uom	NOTES
1	PS400090	GASKET, DRAIN TUBE	1	EA	
2	PS400091	SEAL, O-RING	1	EA	
3	PS400092	FUNNEL, DRAIN	1	EA	
4	PS400093	SCREW, ADAPTER (67006406)	1	EA	
5	PS400094	CORNER COVER (67003485)	1	EA	Not available online / Call for pricing and availability
6	PS400095	DRAIN TUBE (67001066)	1	EA	NO LONGER AVAILABLE
7	PS400096	CLIP, DRAIN TUBE (67001067)	1	EA	NO LONGER AVAILABLE
8	PS400097	PLUG, BUTTON	1	EA	
9	PS400098	BRACKET, DRAWER SLIDE - LH (12812503WD)	1	EA	
Not Shown	PS400099	BRACKET, DRAWER SLIDE - RH (67004733)	1	EA	
10	PS400100	GEAR (LH / RH) - SUBS TO 011497-000	1	EA	
11	PS400101	SCREW, BRACKET (67006473)	1	EA	
12	PS400102	BRAKE, FOOT (67003868)	1	EA	
13	PS400103	GRILLE, TOE, BLACK	1	EA	
14	PS400104	RAIL, SHELF SUPPORT - CENTER (67001073)	1	EA	NO LONGER AVAILABLE
15	PS400105	RAIL, SHELF SUPPORT - RH / LH (67002489)	1	EA	
16	PS400106	SCREW, CENTER RAIL (67006360)	1	EA	NO LONGER AVAILABLE, Not available online / Call for pricing and availability
17	PS400042	SCREW, SMALL (67006400)	1	EA	NO LONGER AVAILABLE
18	PS400107	UPPER FREEZER BASKET (67004988)	1	EA	
19	021917-000	SHAFT, RACK	1	EA	
20	PS400109	LOWER FREEZER BASKET (67006026)	1	EA	
21	PS400110	HANDLE, BASKET (10508506)	1	EA	
22	PS400111	DIVIDER, UPPER BASKET (67004127)	1	EA	

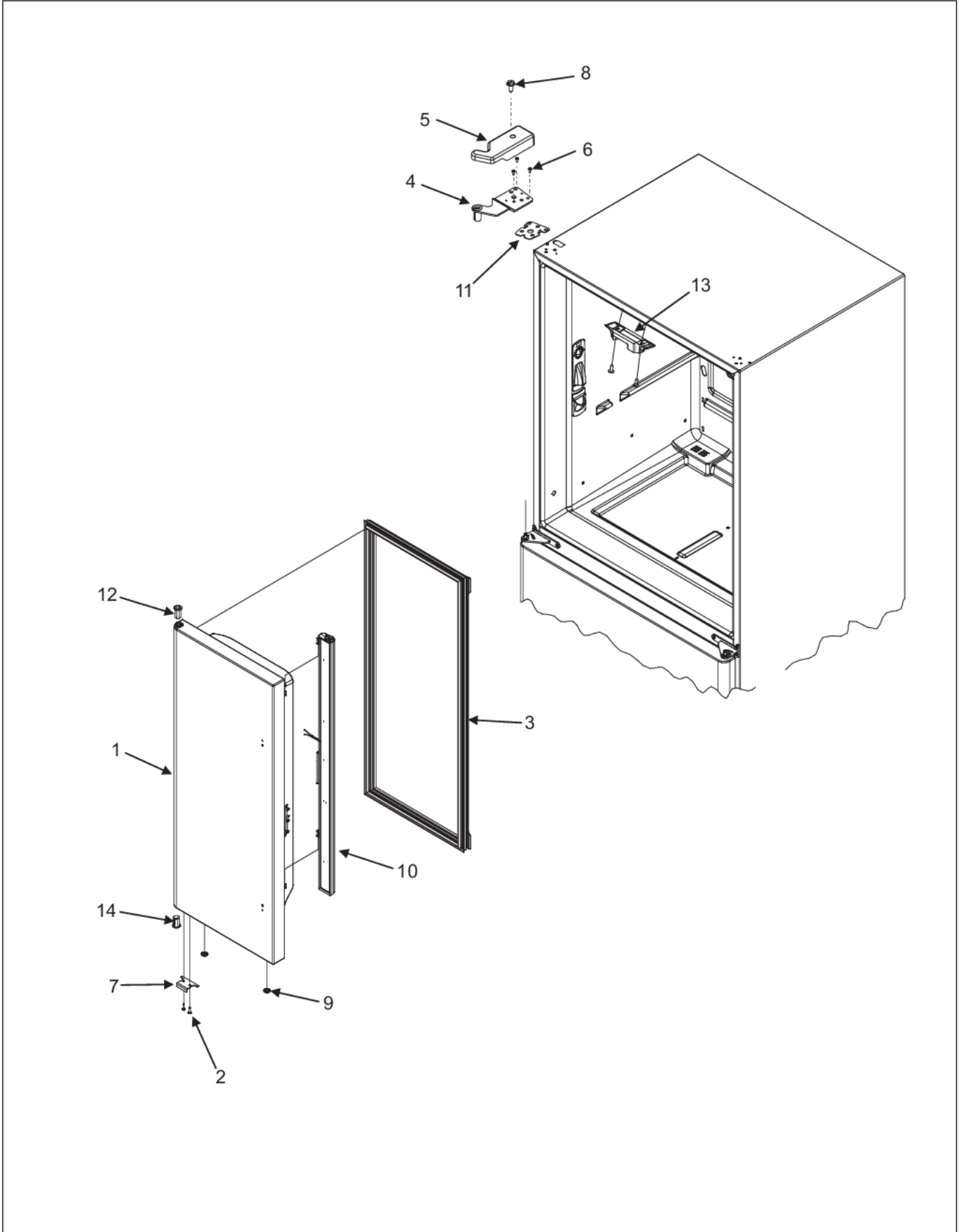






Item	Part No.	Name	Qty	Uom	NOTES
23	PS400112	SCREW, UPPER DIVIDER (67006608)	1	EA	NO LONGER AVAILABLE, Not available online / Call for pricing and availability
24	PS400100	GEAR (LH / RH) - SUBS TO 011497-000	1	EA	
25	PS400114	DIVIDER, LOWER BASKET (67004812)	1	EA	
26	PS400115	DRAWER SLIDE (12002684)	1	EA	
27	PS400116	BASKET CRADLE - LEFT TRACK (67004728)	1	EA	
Not Shown	PS400117	BASKET CRADLE - RIGHT TRACK (67004729)	1	EA	
28	PS400118	ADAPTER - LEFT TRACK (67004971)	1	EA	
Not Shown	PS400119	ADAPTER RIGHT TRACK (67004972)	1	EA	
29	PS400120	BRACKET, FOOT CABINET (67007174)	1	EA	
NI	PS400121	SCREW, BRACKET (67006491)	1	EA	NO LONGER AVAILABLE, Not available online / Call for pricing and availability

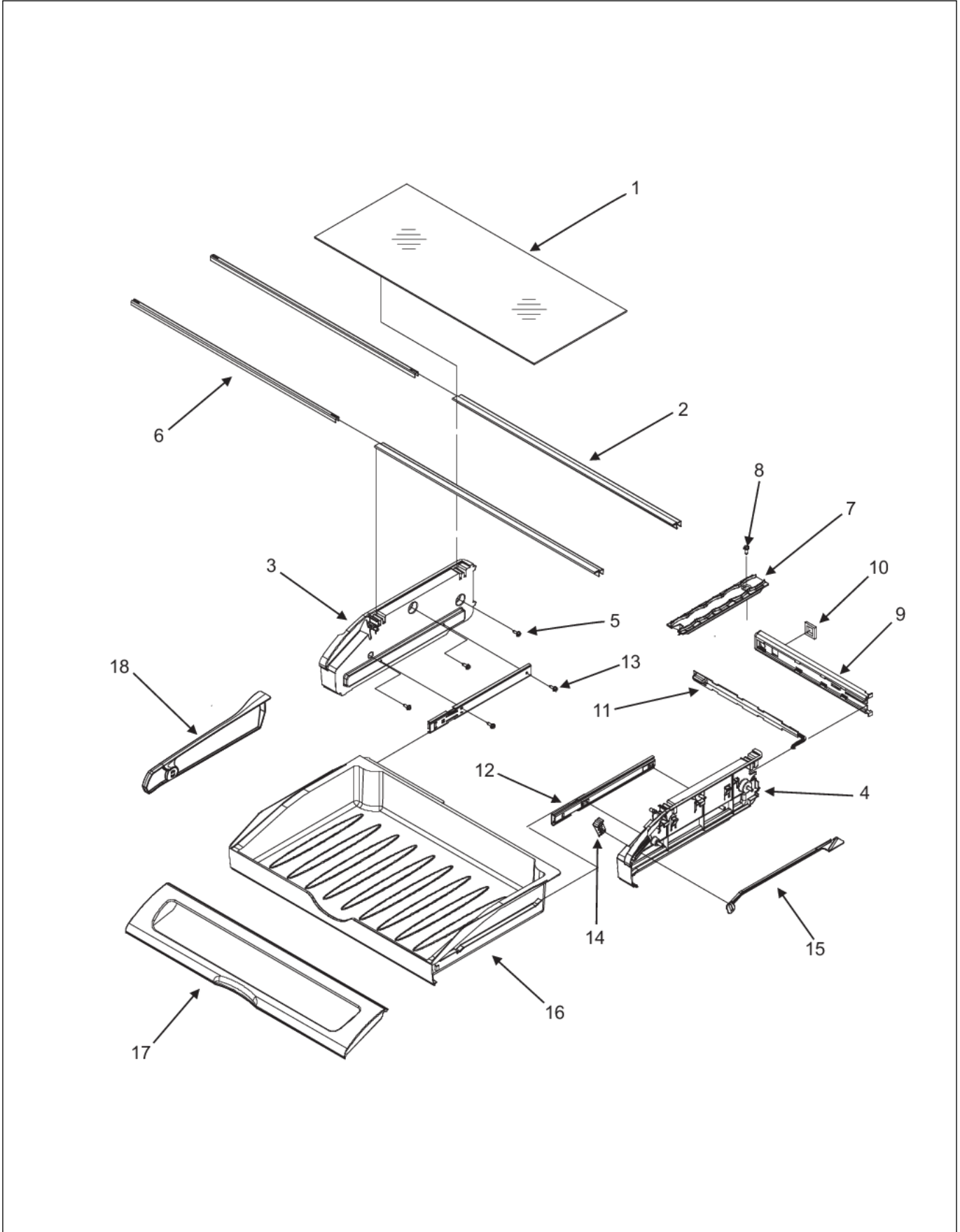
LEFT REFRIGERATOR DOOR





Item	Part No.	Name	Qty	Uom	NOTES
1	PS400215	LEFT REFRIGERATOR DOOR (SS) 67006819	1	EA	NO LONGER AVAILABLE
2	PS400013	SCREW, DOOR STOP (67006287)	1	EA	NO LONGER AVAILABLE
3	PS400216	GASKET, FRENCH DOOR 67003547	1	EA	
4	PS400217	TOP HINGE 12626908	1	EA	
5	PS400218	COVER, TOP HINGE 67006726	1	EA	
6	PS400010	GEAR (LH & RH)	1	EA	
7	PS400012	180 DEGREE DOOR STOP BK (67003780)	1	EA	
8	PS400015	SCREW, TOP HINGE COVER (67006521)	1	EA	
9	PS400016	PLUG, VENT (67004838)	1	EA	NO LONGER AVAILABLE
10	PS400219	VERTICAL MULLION ASSEMBLY 12722803B	1	EA	
NI	PS400220	SCREW, MULLION 67006786	1	EA	NO LONGER AVAILABLE
11	PS400221	SHIM, HINGE	1	EA	
12	PS400222	BUSHING, DOOR, BLACK (UPPER LEFT)	1	EA	
13	PS400223	BLOCK, PIVOT (67003405) - SUB TO 021679-000	1	EA	
NI	PS400224	SCREW, PIVOT BLOCK (489355)	1	EA	
14	PS400225	BUSHING, BOTTOM DOOR (67002721)	1	EA	

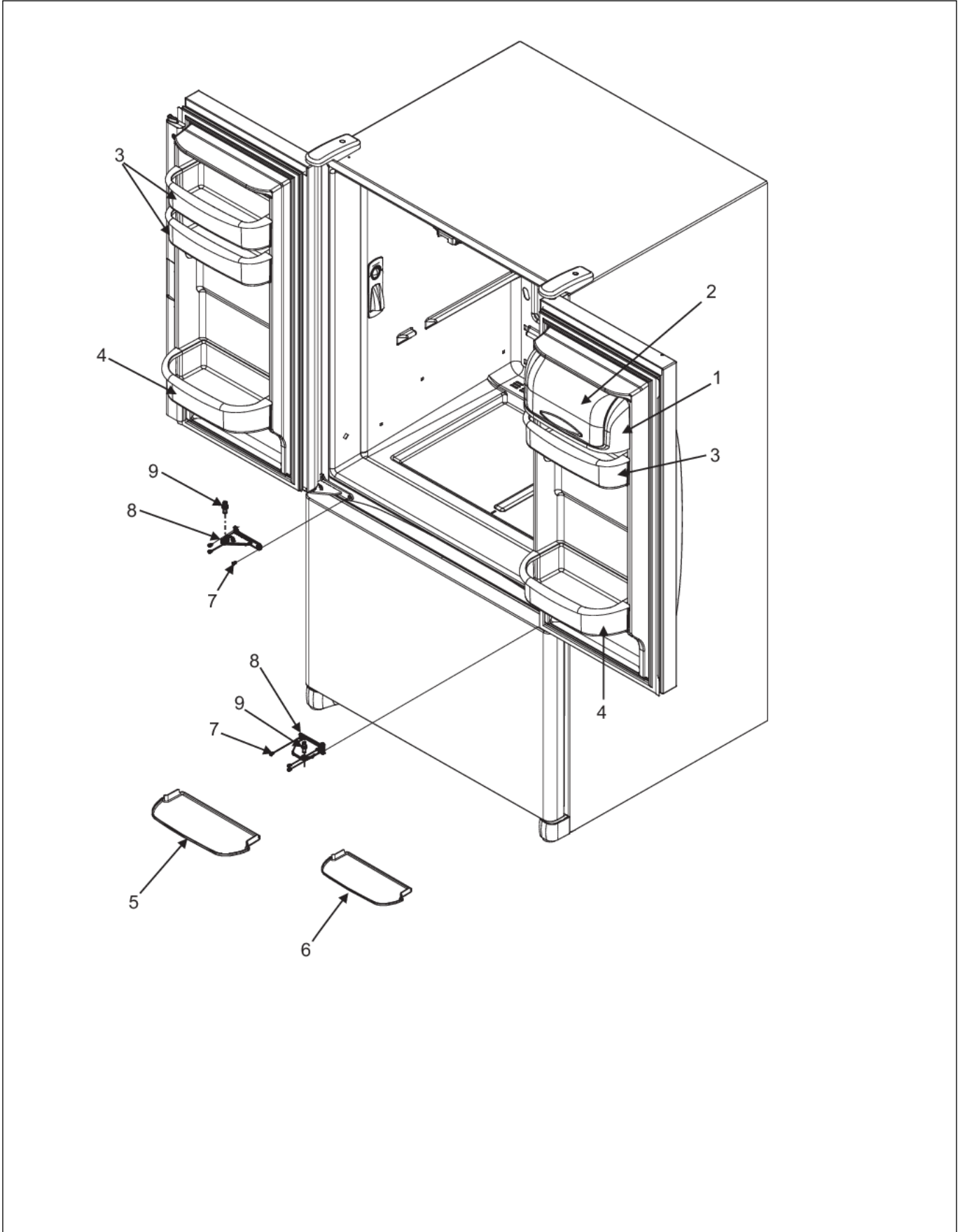
PANTRY ASSEMBLY





Item	Part No.	Name	Qty	Uom	NOTES
1	PS400074	GLASS, PANTRY (67002332)	1	EA	
2	PS400075	EXTRUSION, GLASS SUPPORT (67006010)	1	EA	
3	PS400076	END CAP, LH PANTRY	1	EA	
4	PS400077	END CAP, RH PANTRY	1	EA	
5	PS400078	SCREW, END CAP (67006415)	1	EA	
6	PS400079	BRACE, PANTRY (67002330)	1	EA	NO LONGER AVAILABLE
7	PS400080	TRACK, DELI DRAWER (67001719)	1	EA	NO LONGER AVAILABLE
8	PS400042	SCREW, SMALL (67006400)	1	EA	NO LONGER AVAILABLE
9	PS400081	CONTROL HOUSING (67005625) - SUBS TO 021677-000	1	EA	
10	021678-000	GASKET, PANTRY	1	EA	
11	PS400083	TEMP CONTROL SLIDE (67003793)	1	EA	
12	PS400084	GLIDE, PANTRY DRAWER (67007026)	1	EA	
13	PS400013	SCREW, DOOR STOP (67006287)	1	EA	NO LONGER AVAILABLE
14	PS400085	KNOB, TEMP CONTROL (67003791)	1	EA	Not available online / Call for pricing and availability
15	021675-000	ROD, TEMP CONTROL	1	EA	
16	PS400087	DRAWER, PANTRY (67003530)	1	EA	
17	PS400088	LID, PANTRY (67006736)	1	EA	
18	PS400089	DIVIDER, PANTRY (67002321)	1	EA	

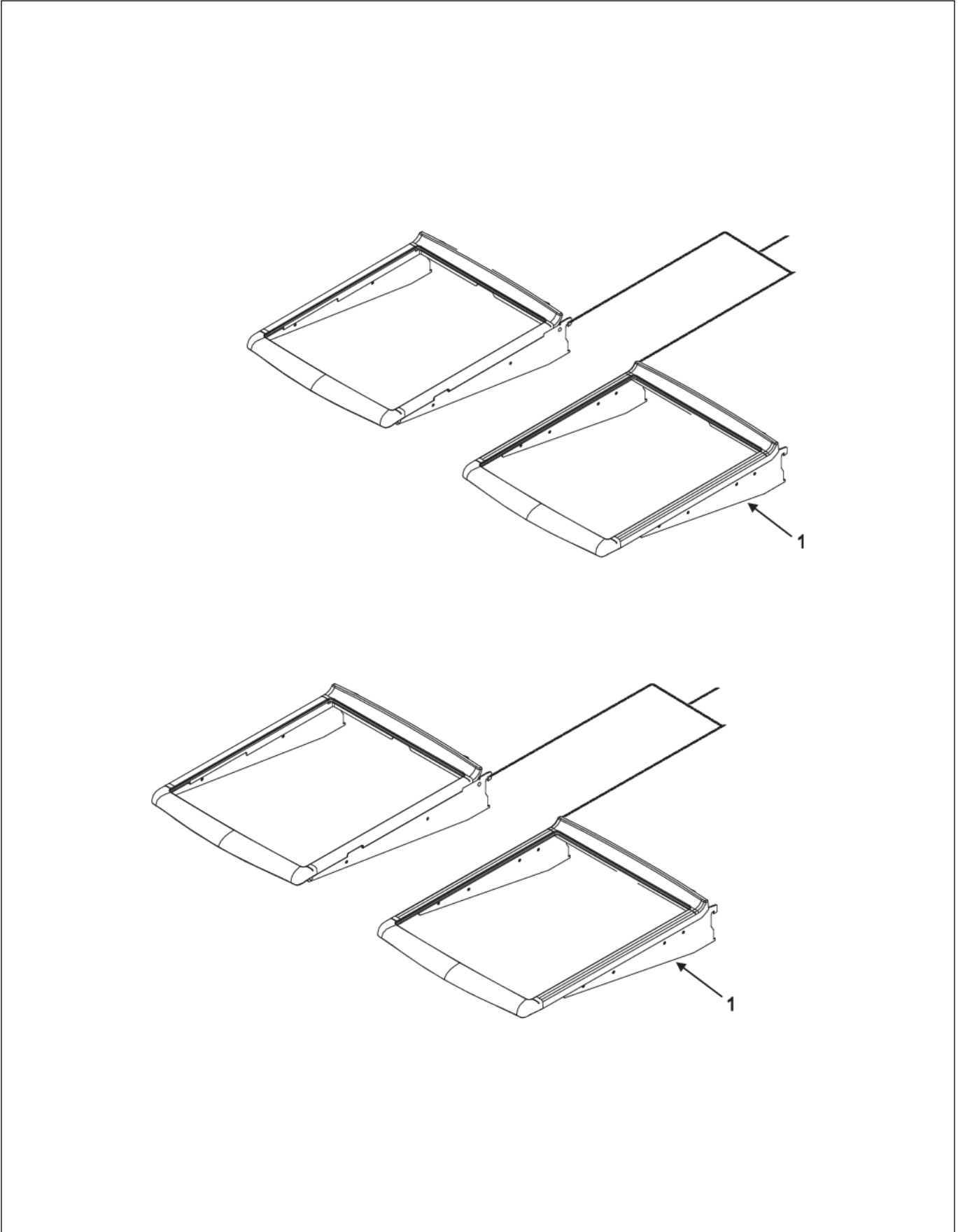
REF DOOR STORAGE AND CTR HINGE





Item	Part No.	Name	Qty	Uom	NOTES
1	PS400017	DAIRY TRAY (67001279)	1	EA	
2	PS400018	DAIRY DOOR (67006727)	1	EA	
3	PS400025	BUCKET, MEDIUM (W/GRIPPER) - SUBS TO 021701-000	1	EA	
4	PS400231	REFRIGERATOR DOOR SHELF - GALLON (INC. GRIPPER) (67006788)	1	EA	
5	PS400232	GRIPPER, GALLON DOOR SHELF (67006789)	1	EA	
6	PS400026	GRIPPER, MEDIUM (67006731)	1	EA	NO LONGER AVAILABLE
7	PS400024	SCREW, CENTER HINGE (67006380)	1	EA	NO LONGER AVAILABLE
8	PS400233	CENTER HINGE (67002027) - SUBS TO 017002-000	1	EA	
9	PS400022	PIN, CENTER HINGE (67006642)	1	EA	

REFRIGERATOR SHELVES

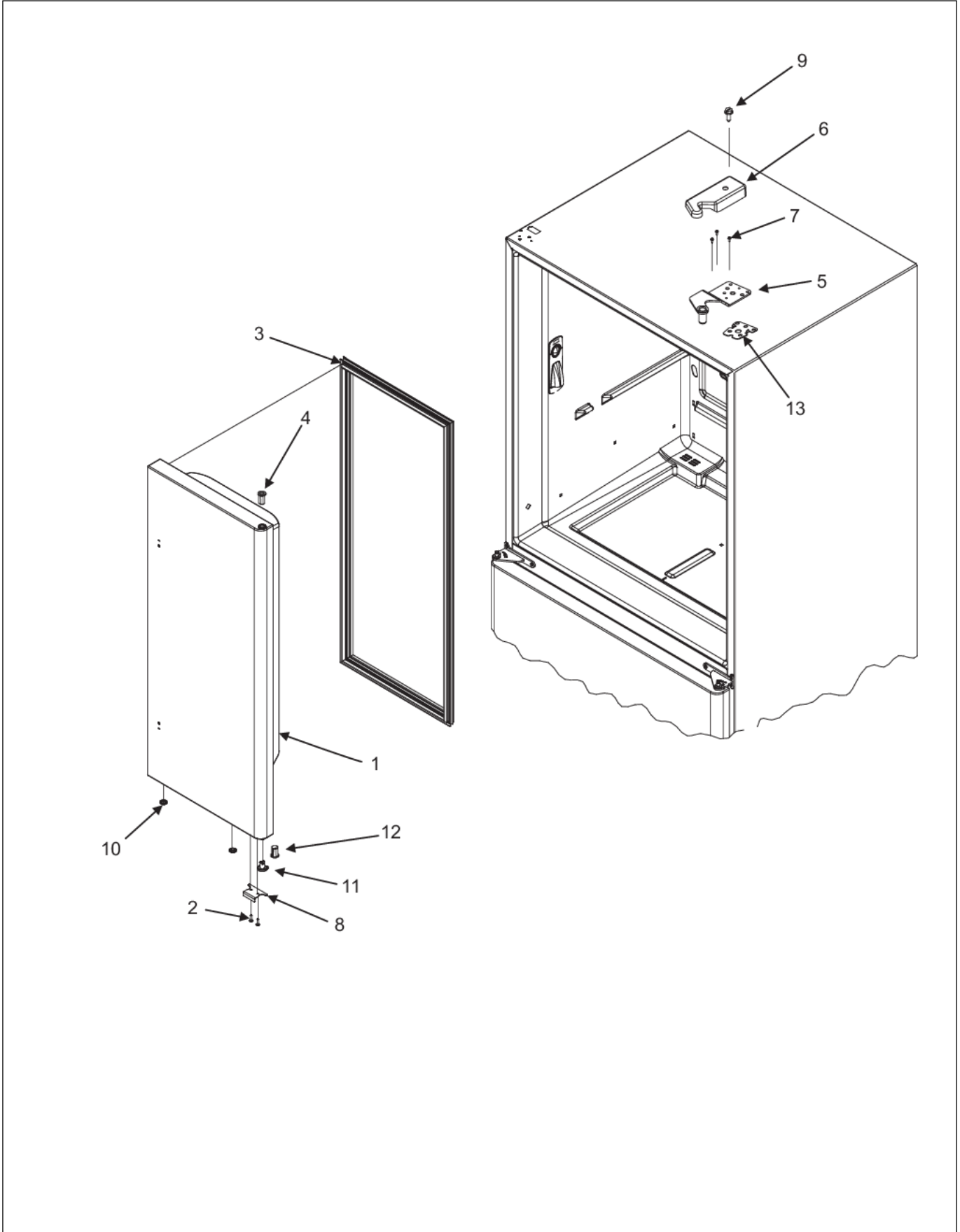






Item	Part No.	Name	Qty	Uom	NOTES
1	PS400066	SHELF, GLIDE OUT (67003169)	1	EA	

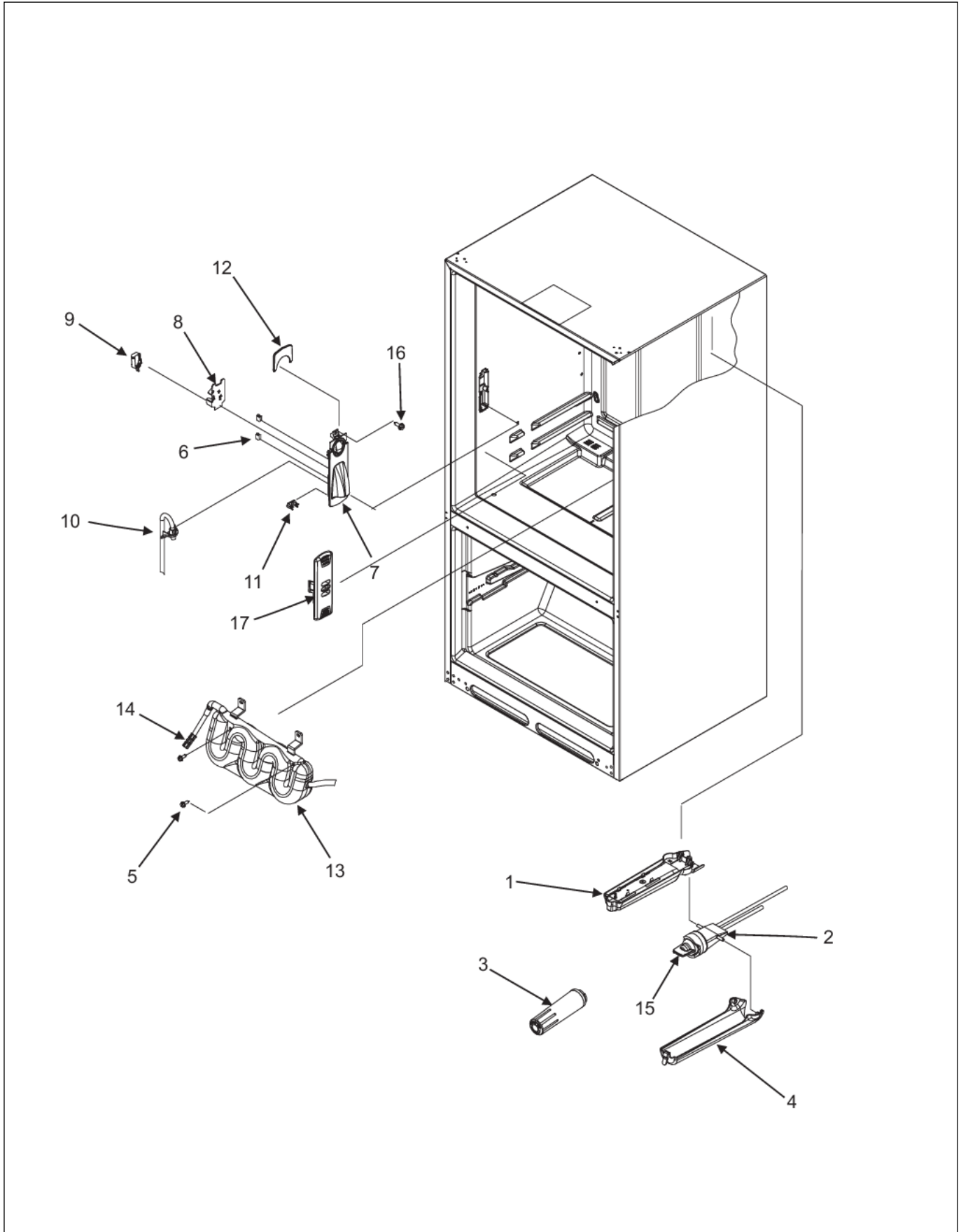
RIGHT REFRIGERATOR DOOR





Item	Part No.	Name	Qty	Uom	NOTES
1	PS400226	RIGHT REFRIGERATOR DOOR (67006820)	1	EA	NO LONGER AVAILABLE
2	PS400013	SCREW, DOOR STOP (67006287)	1	EA	NO LONGER AVAILABLE
3	PS400216	GASKET, FRENCH DOOR 67003547	1	EA	
4	021751-000	BUSHING, DOOR, BLACK (UPPER RIGHT)	1	EA	
5	PS400006	HINGE, TOP RIGHT	1	EA	
6	PS400008	COVER, RIGHT HINGE, BLACK	1	EA	
7	PS400010	GEAR (LH & RH)	1	EA	
8	PS400012	180 DEGREE DOOR STOP BK (67003780)	1	EA	
9	PS400015	SCREW, TOP HINGE COVER (67006521)	1	EA	
10	PS400016	PLUG, VENT (67004838)	1	EA	NO LONGER AVAILABLE
11	PS400014	DOOR CLOSURE (67003639)	1	EA	
12	PS400227	BUSHING, BOTTOM DOOR (67002731)	1	EA	
13	PS400221	SHIM, HINGE	1	EA	

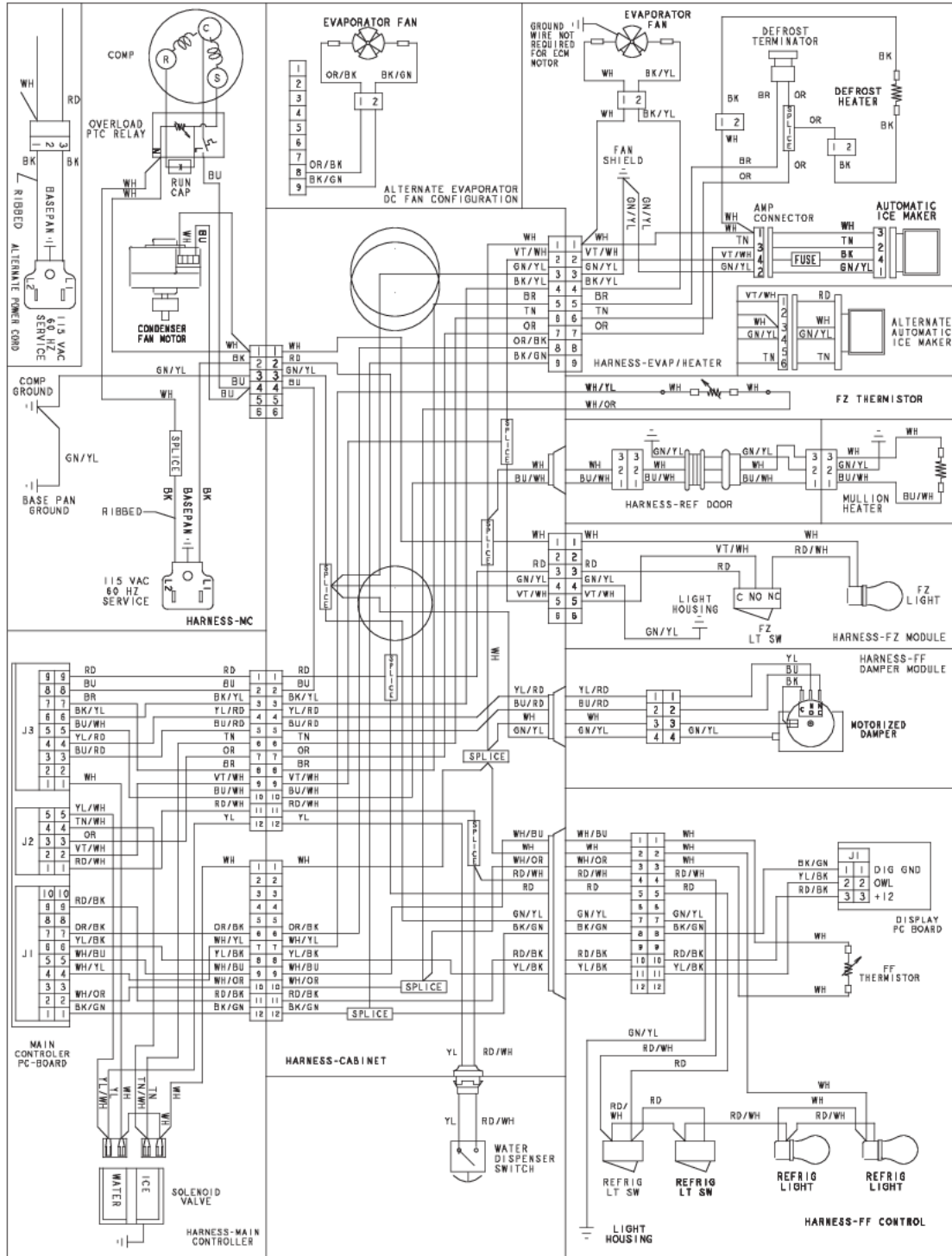
## WATER DISPENSER





Item	Part No.	Name	Qty	Uom	NOTES
1	PS400029	FILTER BACKING PLATE (67001668)	1	EA	
2	PS400030	WATER FILTER HEAD (W/TUBING) (67006524)	1	EA	
3	SALES ITEM	WATER FILTER	1	EA	
4	PS400031	COVER, FILTER	1	EA	
5	PS400013	SCREW, DOOR STOP (67006287)	1	EA	NO LONGER AVAILABLE
6	PS400032	FACADE CLIP (B8390302)	1	EA	
7	PS400033	FACADE DISPENSER (W10158503)	1	EA	
8	PS400034	SWITCH PLATE (67002742)	1	EA	
9	PS400035	SWITCH, LIMIT	1	EA	
10	021776-000	GUIDE, WATERLINE	1	EA	
11	PS400037	WATER LINE CLIP (67002816)	1	EA	
12	PS400038	TOP, FACADE DISPENSER (67006733)	1	EA	
13	PS400039	WATER TANK (W10153959)	1	EA	
14	PS400040	UNION (5/16 X 5/16)	1	EA	
15	PS400041	BYPASS PLUG (12664501)	1	EA	
16	PS400042	SCREW, SMALL (67006400)	1	EA	NO LONGER AVAILABLE
17	PS400043	COVER, CHILLER VENT (67006111)	1	EA	NO LONGER AVAILABLE, Not available online / Call for pricing and availability

WIRING DIAGRAM





Appendix A:Pages Index

CABINET BACK ..... 1  
COMPRESSOR ..... 2  
CONTROLS ..... 3  
CRISPER ASSEMBLY ..... 4  
EVAPORATOR AREA AND ROLLERS ..... 5  
FREEZER DOOR ..... 6  
HANDLES ..... 7  
ICE MAKER ..... 8  
INTERIOR CABINET ..... 9  
LEFT REFRIGERATOR DOOR ..... 10  
PANTRY ASSEMBLY ..... 11  
REF DOOR STORAGE AND CTR HINGE ..... 12  
REFRIGERATOR SHELVES ..... 13  
RIGHT REFRIGERATOR DOOR ..... 14  
WATER DISPENSER ..... 15  
WIRING DIAGRAM ..... 16



Appendix B:Parts Index

021675-000	11	PS400041	15
021678-000	11	PS400042	9, 11, 15
021694-000	3	PS400043	15
021695-000	3	PS400044	3
021751-000	14	PS400046	3
021759-000	3	PS400047	3
021776-000	15	PS400051	3
021881-000	3	PS400052	3
021899-000	2	PS400053	3, 3
021917-000	9	PS400054	3, 3
PE010195	7	PS400055	3
PE030188	7	PS400056	3
PR160032	8	PS400057	3
PS400006	14	PS400058	3
PS400008	14	PS400059	3
PS400010	10, 14	PS400061	3
PS400012	10, 14	PS400062	3
PS400013	1, 5, 8, 10, 11, 14, 15	PS400063	3, 5
PS400014	14	PS400065	3
PS400015	10, 14	PS400066	13
PS400016	6, 10, 14	PS400067	4
PS400017	12	PS400068	4
PS400018	12	PS400069	4
PS400022	12	PS400070	4
PS400024	12	PS400071	4
PS400025	12	PS400072	4
PS400026	12	PS400073	4
PS400029	15	PS400074	11
PS40003	7	PS400075	11
PS400030	15	PS400076	11
PS400031	15	PS400077	11
PS400032	15	PS400078	11
PS400033	15	PS400079	11
PS400034	15	PS400080	11
PS400035	15	PS400081	11
PS400037	15	PS400083	11
PS400038	15	PS400084	11
PS400039	15	PS400085	11
PS40004	7	PS400087	11
PS400040	15	PS400088	11
		PS400089	11





DDFF036SERIES10

PS400090	9	PS400133	5
PS400091	9	PS400134	5
PS400092	9	PS400135	5
PS400093	9	PS400136	5
PS400094	9	PS400137	5
PS400095	9	PS400138	5
PS400096	9	PS400139	5
PS400097	9	PS400140	5
PS400098	9	PS400141	5
PS400099	9	PS400142	5
PS400100	9, 9	PS400143	5
PS400101	9	PS400144	5
PS400102	9	PS400145	5
PS400103	9	PS400146	5
PS400104	9	PS400147	5
PS400105	9	PS400148	5
PS400106	9	PS400149	5
PS400107	9	PS400150	5
PS400109	9	PS400151	5
PS400110	9	PS400152	5
PS400111	9	PS400153	2
PS400112	9	PS400154	2
PS400114	9	PS400155	2
PS400115	9	PS400156	2
PS400116	9	PS400158	2
PS400117	9	PS400159	2
PS400118	9	PS400160	2
PS400119	9	PS400161	2
PS400120	9	PS400162	2
PS400121	9	PS400163	2
PS400122	5	PS400164	2
PS400123	5	PS400165	2
PS400124	5	PS400166	2
PS400125	5	PS400167	2
PS400126	5	PS400168	2
PS400127	5	PS400169	2
PS400128	5	PS400170	2
PS400129	1, 2, 5	PS400171	2
PS400130	5	PS400172	1
PS400131	5	PS400173	1
PS400132	5	PS400174	1



PS400175	1	PS400222	10
PS400176	1	PS400223	10
PS400177	1	PS400224	10
PS400178	1	PS400225	10
PS400179	1	PS400226	14
PS400180	1, 8	PS400227	14
PS400181	1	PS400228	6
PS400182	1	PS400229	6
PS400183	1	PS400230	6
PS400184	1	PS400231	12
PS400185	1, 8	PS400232	12
PS400186	1	PS400233	12
PS400187	1	PS400234	3
PS400188	1	PS400235	3
PS400189	1		
PS400190	1		
PS400191	1		
PS400192	1		
PS400193	1		
PS400194	1		
PS400195	1		
PS400197	8		
PS400198	8		
PS400199	8		
PS400200	8		
PS400201	8		
PS400202	8		
PS400203	8		
PS400204	8		
PS400205	8		
PS400206	8		
PS400207	8		
PS400208	8		
PS400209	8		
PS400215	10		
PS400216	10, 14		
PS400217	10		
PS400218	10		
PS400219	10		
PS400220	10		
PS400221	10, 14		